

Recommended P.C.B Layout (Top Side)
 (PCB BOARD TOLERANCE ± 0.05)

TECHNICAL SPECS:

Current Rating: 3.0AMP
 Contact Resistance: 10mΩ Max
 Dielectric Strength: Min 1000Vrms
 Mechanical Life: Min 500 Cycles
 Mating Pin: $\varnothing 0.64$ to $\varnothing 0.90$ mm
 Forces: (polished steel gauge $\varnothing 0.76$ mm)
 - Insertion: 1.2N typ
 - Withdrawal: 0.6N typ
 Operation Temperature: $-40^{\circ}\text{C} \sim +105^{\circ}\text{C}$

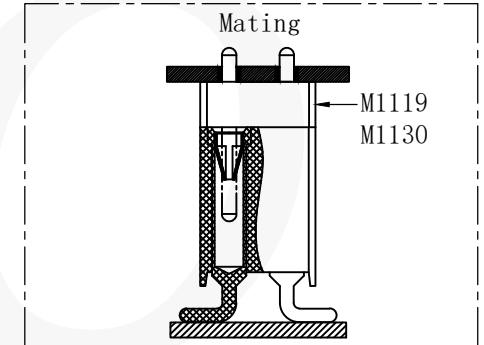
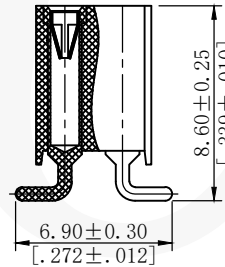
Material

Sleeve: Brass
 Contact Plating: Au or Sn Over Ni.
 Contact Clip (6 finger): BeCu, Gold Flash Plated
 Insulator Material: Glass Filled Polyester (UL94V-0)
 Standard: PPS

* Pin Part No.: MF1000A-BXX651XX001

Mating Pin

- $\varnothing 0.64 \sim \varnothing 0.90$ mm
- 0.64×0.64 mm



Ordering Code:

M2170-2 XX M XX 1000A X 01

No. of Pins Per Row: 02~40	Clip/Sleeve Plating S0=GoldFlash/Tin S1=3u" Gold/Tin S2=5u" Gold/Tin S3=10U"Gold/Tin S4=15U"Gold/Tin S5=30U"Gold/Tin G0=Gold Flash SN=Tin	Packing A=Tray T=Tube P=Tube+CAP R=Tape& Reel+CAP M=Reel+ Mylar
-------------------------------	---	--



THIS DRAWING IS A CONTROLLED DOCUMENT

TOLERANCES UNLESS OTHERWISE SPECIFIED	UNITS mm/inch	SCALE FIT	SIZE A4
0 PLC ± —	DRAWN BY <i>Xu</i>	DATE 7/30/2022	TITLE 2.54MM SIP SOCKET DUAL ROW
1 PLC ± 0.30/.012	ENGINEER <i>Zhang</i>	DATE 7/30/2022	SMT H7.0 L10.0MM
2 PLC ± 0.25/.010	CHECKED BY <i>Mike</i>	DATE 7/30/2022	PART NO. M2170-2XXMX1000AX01
3 PLC ± 0.20/.008	APPROVED BY <i>Andy</i>	DATE 7/30/2022	DRAWING NO. M2170-M1000A
4 PLC ± 0.10/.004	PROJ.	CAGE CODE 594309442	FILE PATH A/D/YTCOTZ/SIP SOCKET/2.54mm
ANGLES ± 3°			SHEET 1 OF 1
			REV A



YTCO TECHNOLOGY
 HTTP://WWW.YTCO.CO E-MAIL:SALES@YTCO.CO